

CABINET DETAILS IN INTERIOR ELEVATION PAGES

FORD F-650
REGULAR CAB SERIES
DIESEL

1264_ELEVATIONS_6/15/12

STATUS

FINAL

MBF Industries

210 TECH DRIVE
SANFORD, FLORIDA 32771

PHONE: 407-323-9414
FAX: 407-330-2068

DRAWING NUMBER
1264_ELEVATIONS_6/15/12

CHASSIS/BODY
FORD F-650 - MODULAR

TITLE
UT BANK GHANA
MOBILE BANK VEHICLE

TYPE
FINAL

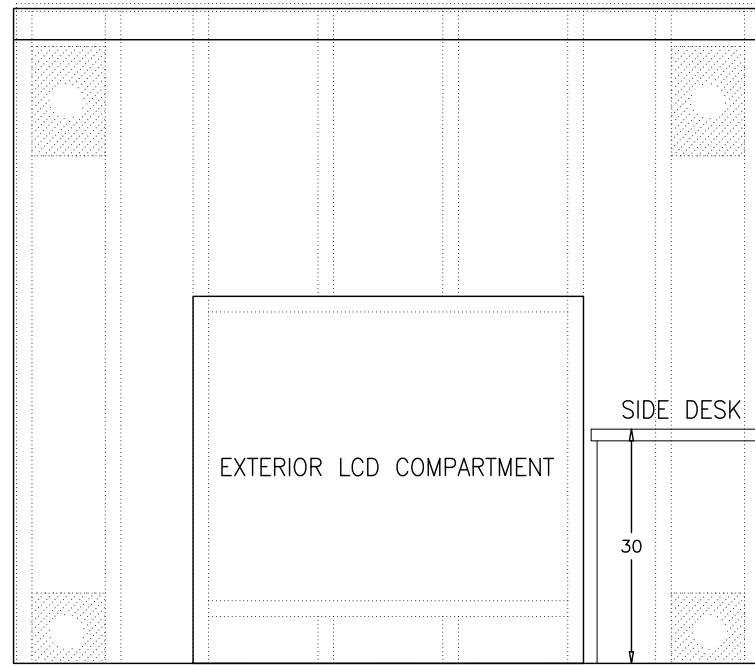
DATE
6/15/12

VIEW
INTERIOR PLAN VIEW (LAYOUT)

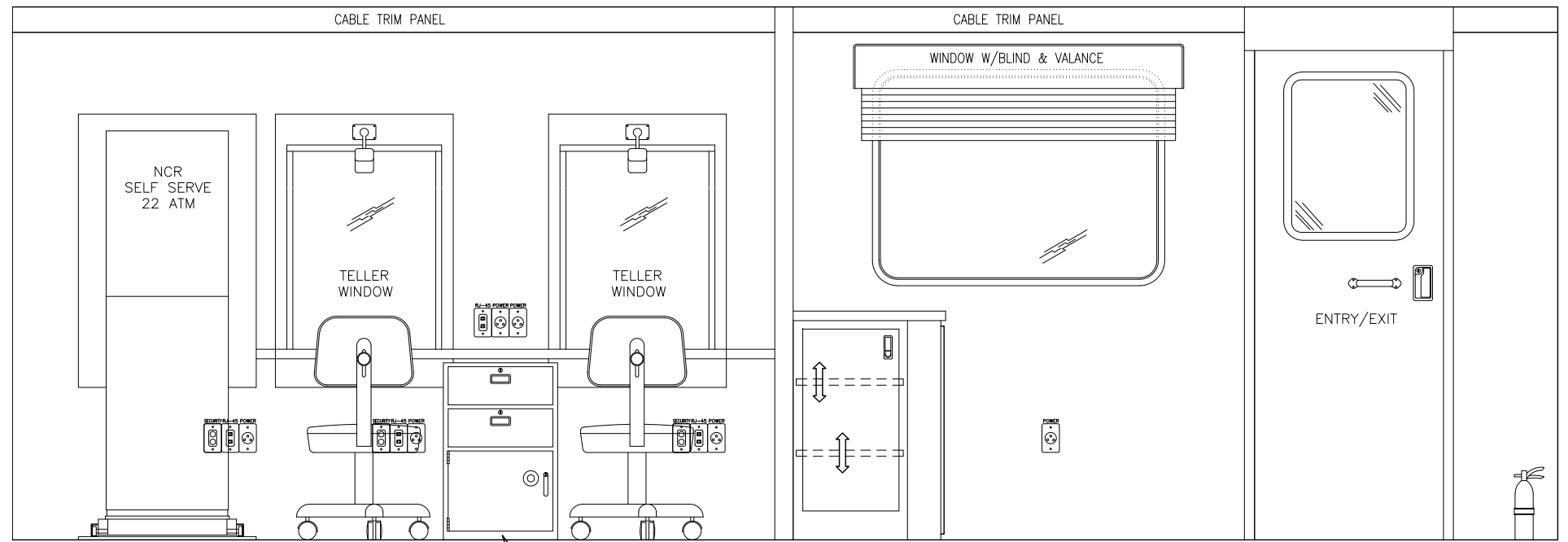
These drawings and/or specifications are the proprietary property and trade secrets of MBF Ind. and are issued in strict confidence. No reproduction or use shall be made without prior written consent of MBF Ind.

DRAWN BY
GAV
SHEET
1 of 5

SCALE
N/A
SIZE
B



CUSTOMER SERVICE AREA
VIEWED LOOKING TO THE REAR

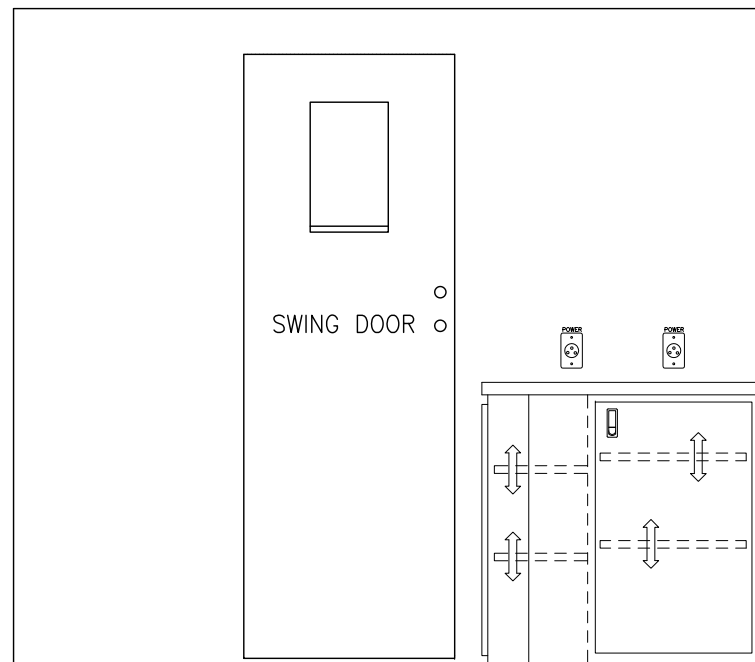


ATM|TELLER|OPERATIONS

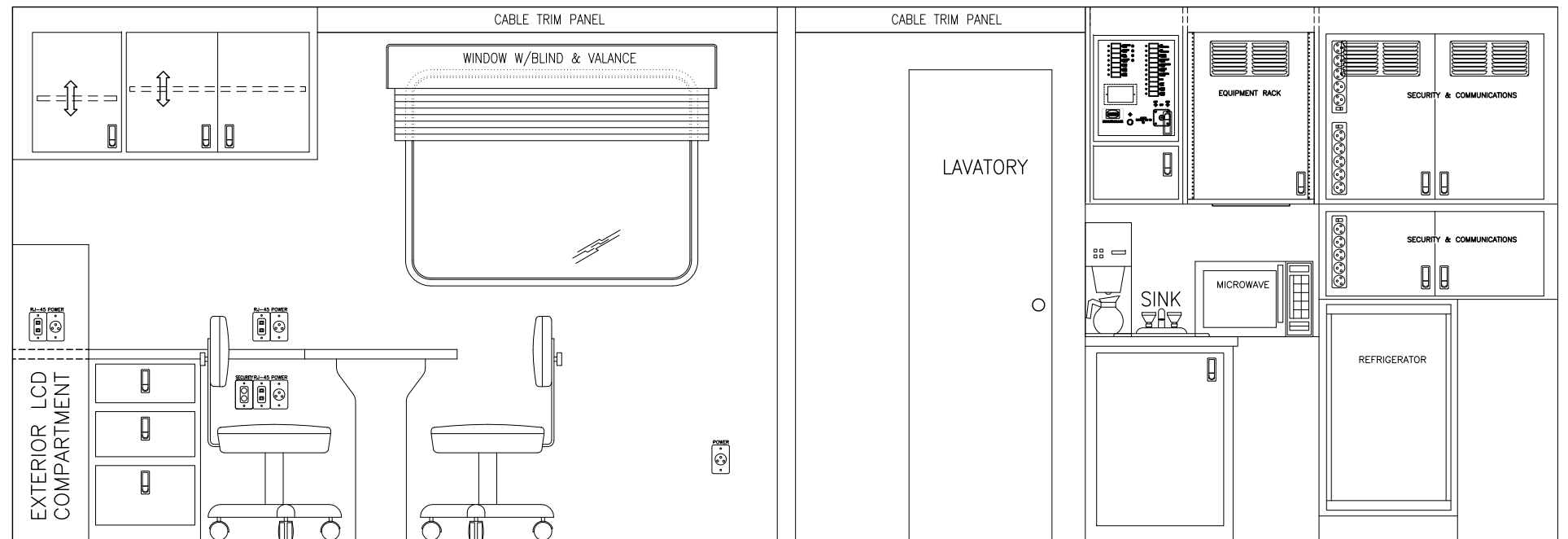
- CASH PEDESTAL
- 2 LOCKING DRAWERS
- 1 VAULT W/KEY & COMBO LOCK

CUSTOMER SERVICE AREA

PASSENGER SIDE INTERIOR



CUSTOMER SERVICE AREA
VIEWED LOOKING TO THE FRONT



EXTERIOR LCD
COMPARTMENT

CUSTOMER SERVICE AREA

ATM|TELLER|OPERATIONS

DRIVERS SIDE INTERIOR

1264_ELEVATIONS_6/15/12

STATUS

FINAL

MBF Industries

210 TECH DRIVE
SANFORD, FLORIDA 32771

PHONE: 407-323-9414
FAX: 407-330-2068

DRAWING NUMBER
1264_ELEVATIONS_6/15/12

CHASSIS/BODY
FORD F-650 - MODULAR

TITLE
UT BANK GHANA
MOBILE BANK VEHICLE

TYPE
FINAL

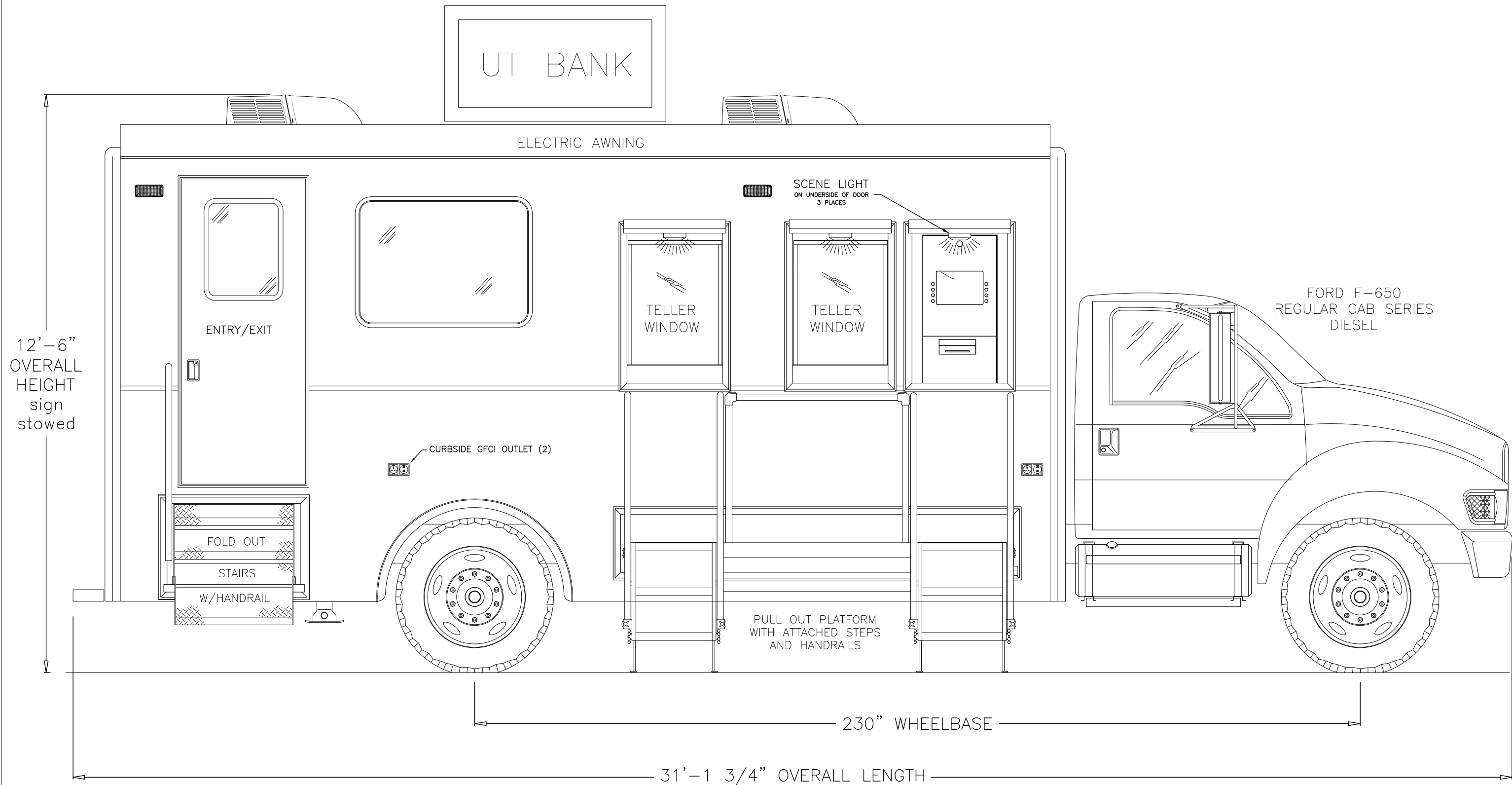
DATE
6/15/12

VIEW
INTERIOR ELEVATIONS

These drawings and/or specifications are the proprietary property and trade secrets of MBF Ind., and are issued in strict confidence. No reproduction or use shall be made without prior written consent of MBF Ind.

DRAWN BY
GAN
SHEET
2 of 5

SCALE
N/A
SIZE
B



1264_ELEVATIONS_6/15/12

STATUS

FINAL

MBF Industries

210 TECH DRIVE
SANFORD, FLORIDA 32771

PHONE: 407-323-9414
FAX: 407-330-2068

DRAWING NUMBER
1264_ELEVATIONS_6/15/12

CHASSIS/BODY
FORD F-650 - MODULAR

TITLE
UT BANK GHANA
MOBILE BANK VEHICLE

TYPE
FINAL

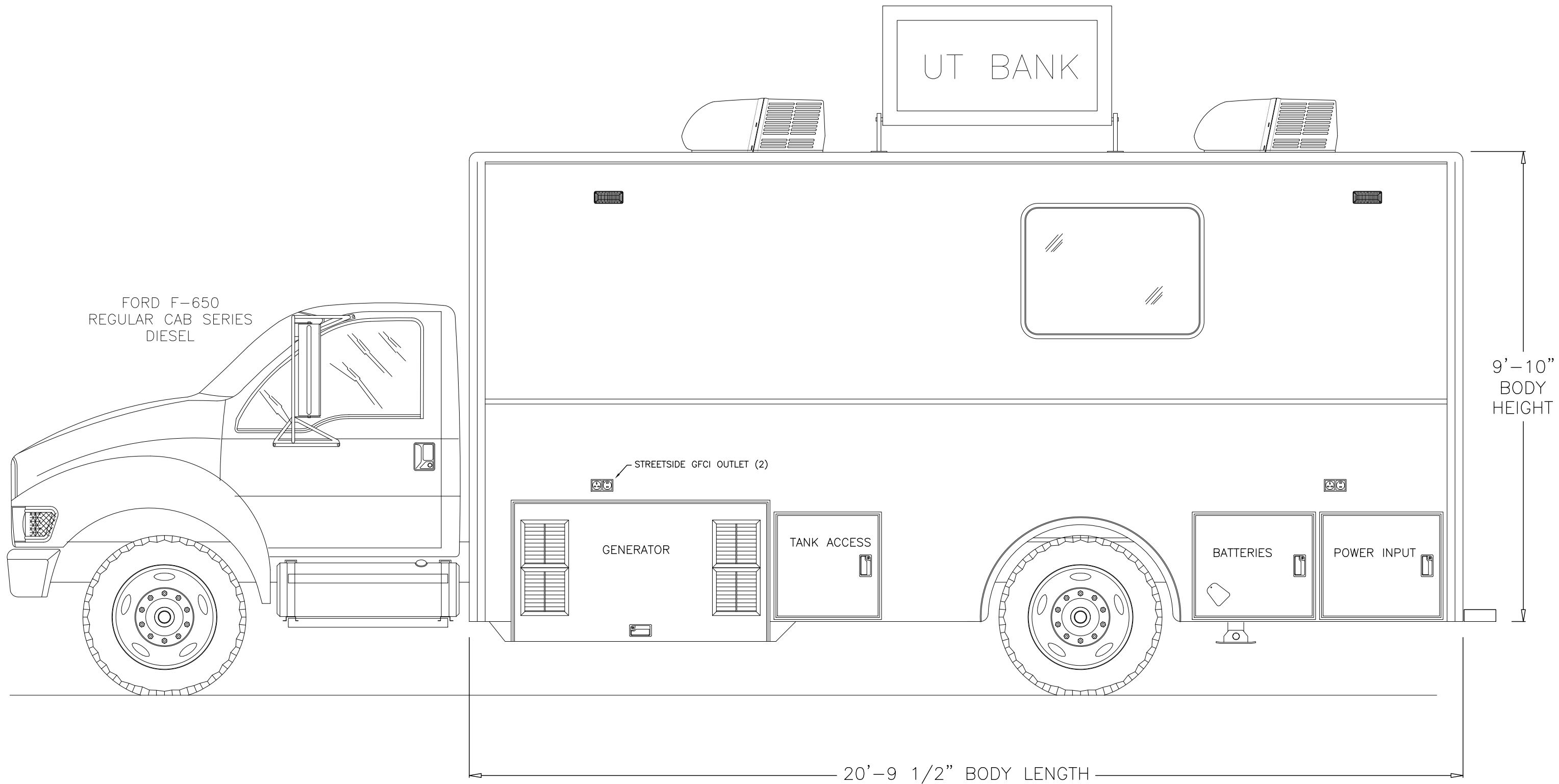
DATE
6/15/12

VIEW
EXTERIOR CURBSIDE ELEVATION

These drawings and/or specifications are the proprietary property and trade secrets of MBF Ind. and are issued in strict confidence. No reproduction or use shall be made without prior written consent of MBF Ind.

DRAWN BY
GAV
SHEET
3 of 5

SCALE
N/A
SIZE
B



1264_ELEVATIONS_6/15/12

STATUS

FINAL

MBF Industries

210 TECH DRIVE
SANFORD, FLORIDA 32771

PHONE: 407-323-9414
FAX: 407-330-2068

DRAWING NUMBER
1264_ELEVATIONS_6/15/12

CHASSIS/BODY
FORD F-650 - MODULAR

TITLE
UT BANK GHANA
MOBILE BANK VEHICLE

TYPE
FINAL

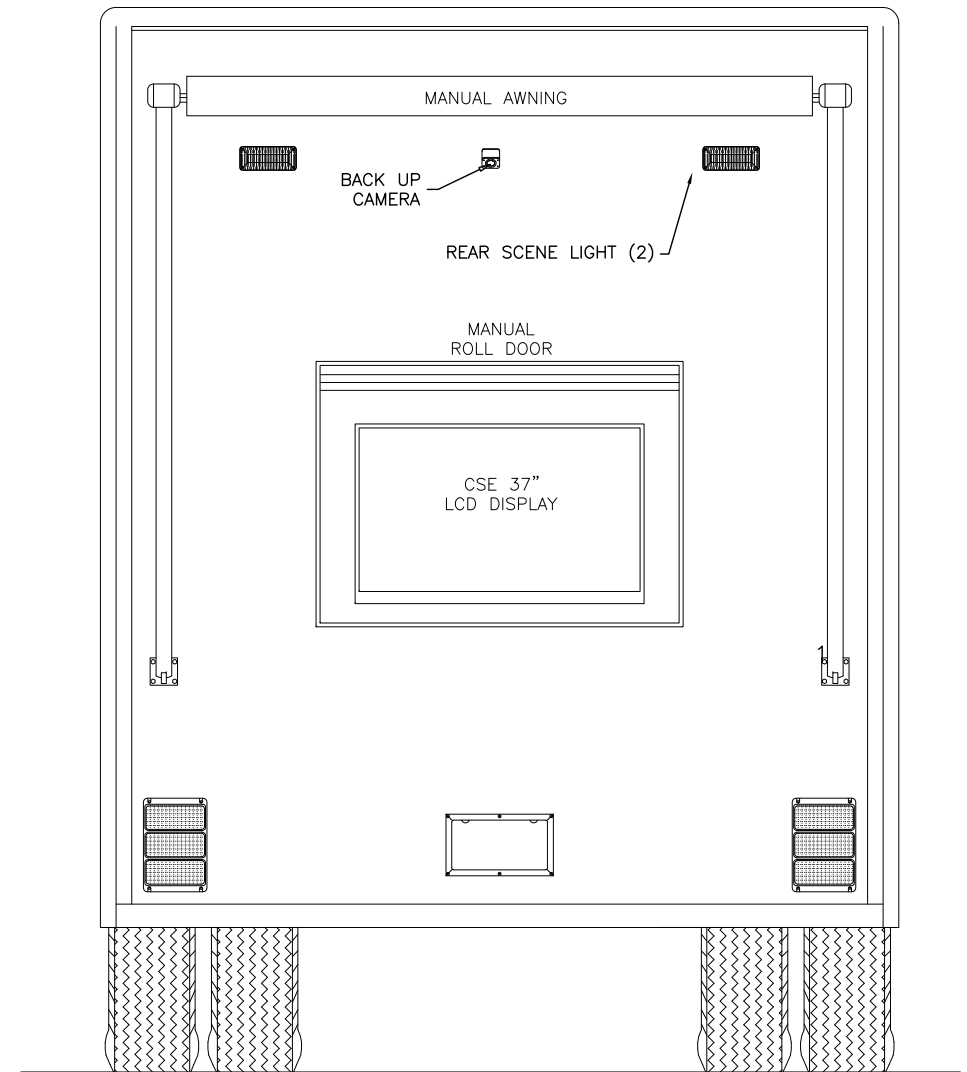
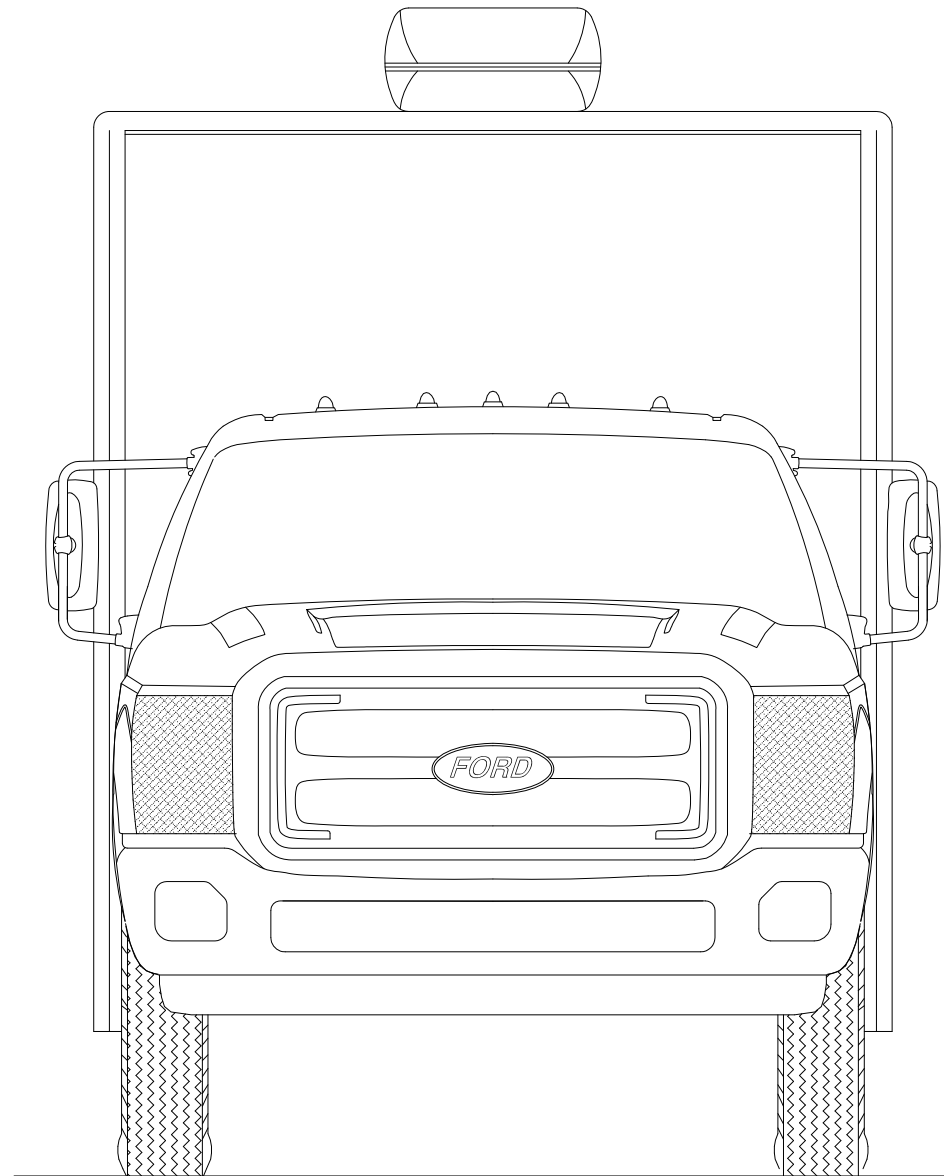
DATE
6/15/12

VIEW
EXTERIOR CURBSIDE ELEVATION

These drawings and/or specifications are the proprietary property and trade secrets of MBF Ind., and are issued in strict confidence. No reproduction or use shall be made without prior written consent of MBF Ind.

DRAWN BY
GAV
SHEET
4 of 5

SCALE
N/A
SIZE
B



1264_ELEVATIONS_6/15/12

STATUS

FINAL

MBF Industries

210 TECH DRIVE
SANFORD, FLORIDA 32771

PHONE: 407-323-9414
FAX: 407-330-2068

DRAWING NUMBER
1264_ELEVATIONS_6/15/12

CHASSIS/BODY
FORD F-650 - MODULAR

TITLE
UT BANK GHANA
MOBILE BANK VEHICLE

TYPE
FINAL

DATE
6/15/12

VIEW
EXTERIOR FRONT & REAR ELEVATION

These drawings and/or specifications are the proprietary property and trade secrets of MBF Ind., and are issued in strict confidence. No reproduction or use shall be made without prior written consent of MBF Ind.

DRAWN BY
GAV
SHEET
5 of 5

SCALE
N/A
SIZE
B