

CUSTOMER APPROVAL

NAME: (print) _____
 SIGNATURE: _____
 TITLE: _____
 DATE: _____

STATUS

PRELIMINARY SALES DRAWING
ALL DIMENSIONS
ARE APPROXIMATIONS

MBF Industries

210 TECH DRIVE
 SANFORD, FLORIDA 32771

PHONE: 407-323-9414
 FAX: 407-330-2088

TYPE VEHICLE
BLOOD MOBILE

DRAWING NUMBER
JK-11187-01

DATE
8/12/2013

TITLE
BLOOD MOBILE 5-BED
- 2 HISTORY

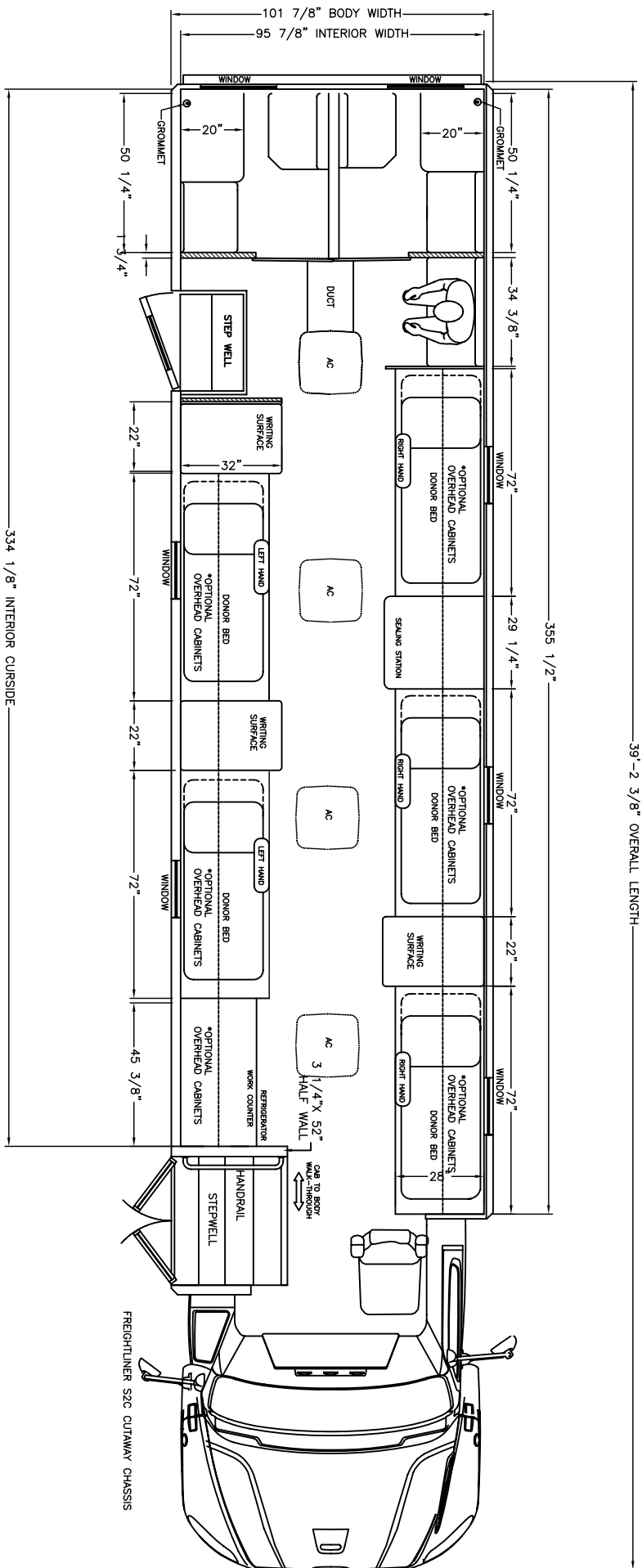
VIEW
CURBSIDE ELEVATION

DRAWN BY
JMK

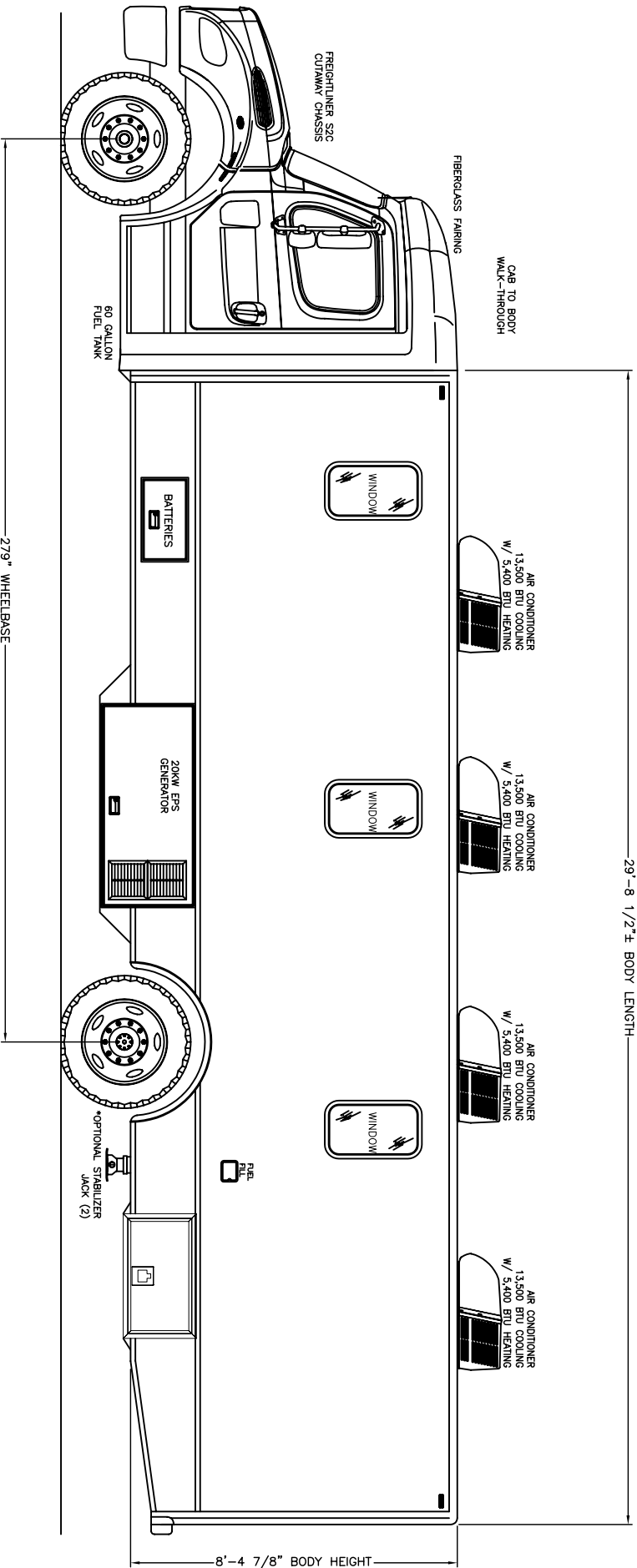
SCALE
N/A

SIZE
A

These drawings and/or specifications are the property of MBF Industries, Inc. and are to be used only for the specific project and conditions. No reproduction or use shall be made without prior written consent of MBF Inc.



CUSTOMER APPROVAL NAME: (print) _____ SIGNATURE: _____ TITLE: _____ DATE: _____		STATUS PRELIMINARY SALES DRAWING ALL DIMENSIONS ARE APPROXIMATIONS		MBF Industries 210 TECH DRIVE SANFORD, FLORIDA 32771 PHONE: 407-323-9414 FAX: 407-330-2088		TYPE VEHICLE BLOOD MOBILE		TITLE BLOOD MOBILE 5-BED - 2 HISTORY	
DRAWING NUMBER JK-11187-01				DATE 8/12/2013		DRAWN BY JMK		SCALE N/A	
<small>These drawings and/or specifications are the property of MBF Industries, Inc. and are not to be reproduced or used in any form without the written consent of MBF Inc.</small>						SHEET 2 Of 4		SIZE A	



27'9" WHEELBASE

8'-4 7/8" BODY HEIGHT

CUSTOMER APPROVAL

NAME: (print) _____

SIGNATURE: _____

TITLE: _____

DATE: _____

STATUS

PRELIMINARY SALES DRAWING

ALL DIMENSIONS ARE APPROXIMATIONS

MBF Industries

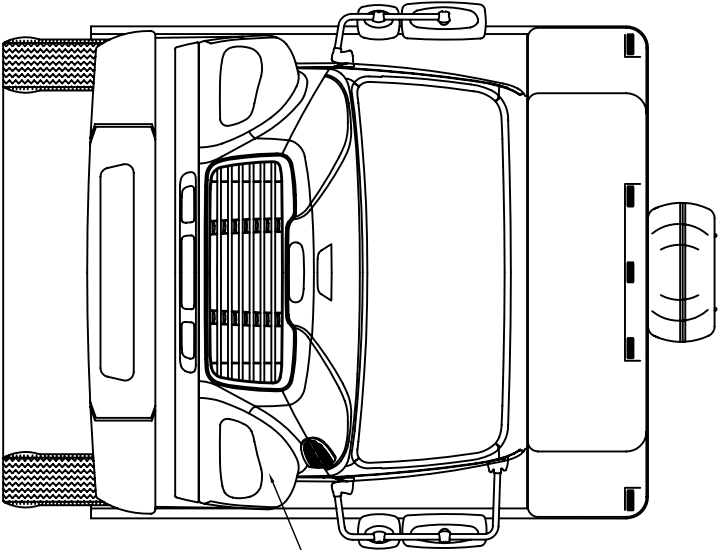
210 TECH DRIVE
SANFORD, FLORIDA 32771

PHONE: 407-323-9414
FAX: 407-330-2088

TYPE VEHICLE		TITLE	
BLOOD MOBILE		BLOOD MOBILE 5-BED - 2 HISTORY	
DRAWING NUMBER	DATE	DRAWN BY	SCALE
JK-11187-01	8/12/2013	JMK	N/A
VIEW		SHEET	
STREET SIDE ELEVATION		3 OF 4	
SIZE		A	

These drawings and/or specifications are the property of MBF Industries, Inc. and are not to be reproduced or used in any form without prior written consent of MBF Inc.

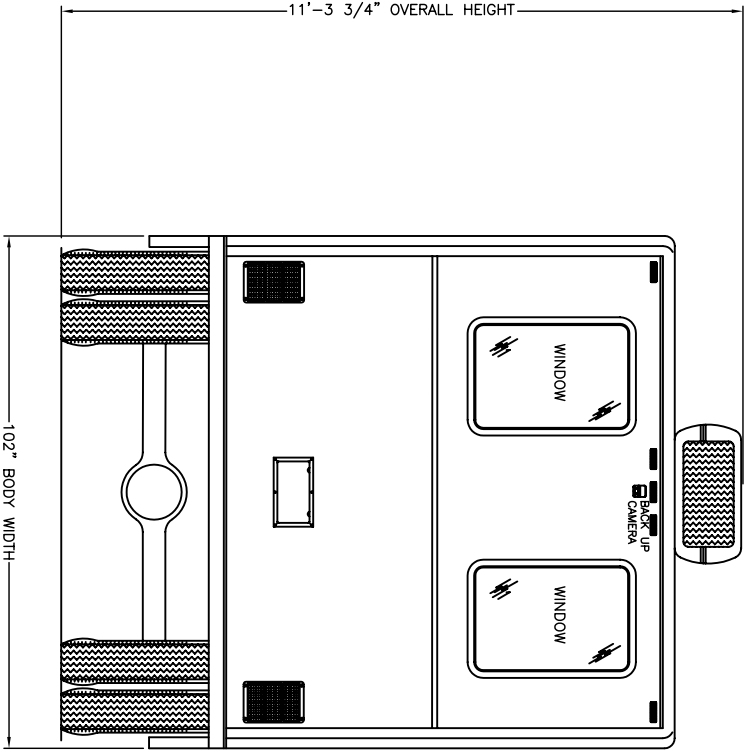
(4) ROOF A/C W/13,500 BTU COOLING & 5400 BTU HEAT EACH UNIT



FREIGHTLINER
SZC CUTAWAY
CHASSIS

FRONT ELEVATION

(4) ROOF A/C W/13,500 BTU COOLING & 5400 BTU HEAT EACH UNIT



REAR ELEVATION

CUSTOMER APPROVAL

NAME: (print) _____
SIGNATURE: _____
TITLE: _____
DATE: _____

STATUS

PRELIMINARY SALES DRAWING
ALL DIMENSIONS
ARE APPROXIMATIONS

MBF Industries

210 TECH DRIVE
SANFORD, FLORIDA 32771

PHONE: 407-323-9414
FAX: 407-330-2088

TYPE VEHICLE
BLOOD MOBILE

DRAWING NUMBER
JK-11187-01

DATE
8/12/2013

TITLE
BLOOD MOBILE 5-BED
- 2 HISTORY

VIEW
STREET SIDE ELEVATION

DRAWN BY
JMK

SCALE
N/A

SHEET
4 Of 4

SIZE
A

These drawings and/or specifications are the property of MBF Industries. No reproduction or use shall be made without prior written consent of MBF Inc.